



# Northern Resident Killer Whales in British Columbia

Photo-Identification Catalogue 2007

**Graeme M. Ellis, John K.B. Ford and Jared R. Towers**

Pacific Biological Station, Nanaimo, British Columbia V9T 6N7

© Fisheries and Oceans Canada 2007

# Northern Resident Killer Whales in British Columbia

Photo-Identification  
Catalogue 2007

Graeme M. Ellis, John K.B. Ford and Jared R. Towers

Pacific Biological Station  
Fisheries and Oceans Canada  
3190 Hammond Bay Road, Nanaimo, British Columbia V9T 6N7  
© Fisheries and Oceans Canada 2007

# Preface

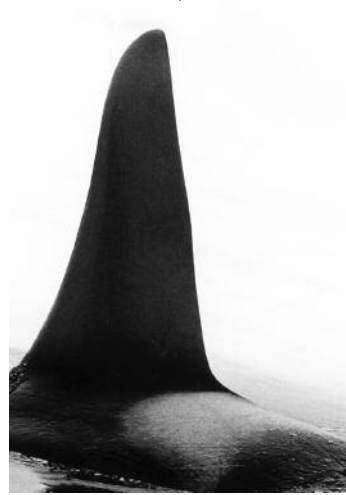
This catalogue was prepared for inclusion in a report on the current status of the northern resident killer whale population, to be published in fall, 2007. We have made it available for the 2007 summer season to facilitate whale identification by our research colleagues, whale-watch operators, and others interested in this population. Images in this catalogue are copyrighted by Fisheries and Oceans Canada and are not to be reproduced without permission of the authors.

**A36 Matriline**

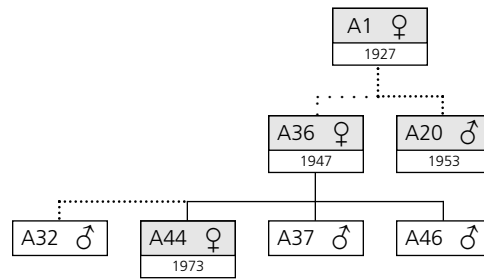
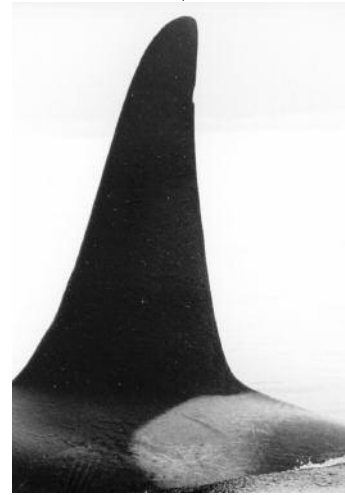
A32 ♂ 1964



A37 ♂ 1977



A46 ♂ 1982



**Key**



Deceased killer whale with estimated or known birth date

\* Possibly dead

*Genealogical relationship:*

———— Positive

..... Probable

..... Possible

**A12 Matriline**

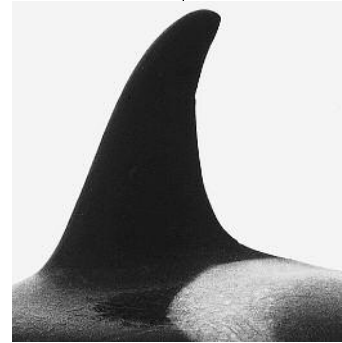
**A12** ♀ 1941



**A33** ♂ 1971



**A34** ♀ 1975

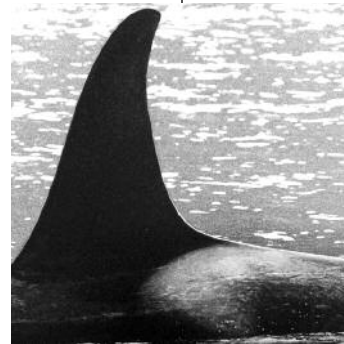


A34 and her offspring have been known to travel apart from A12 and A33 in recent years.

**A55** ♂ 1990



**A62** ♀ 1993



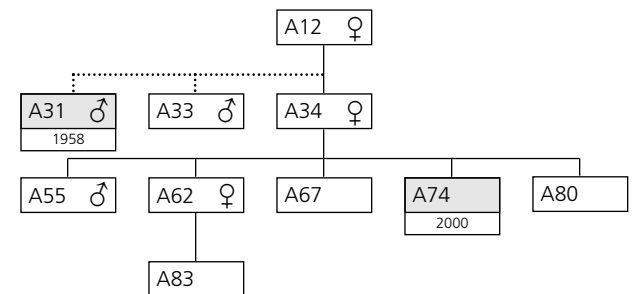
**A67** 1996



**A80** 2004

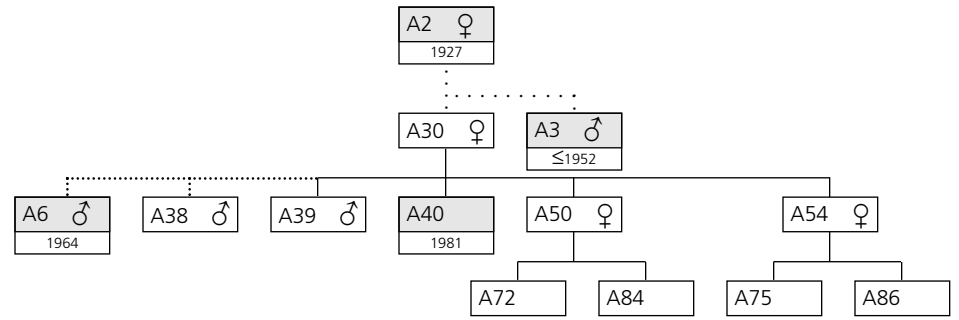


**A83** 2005



### A30 Matriline

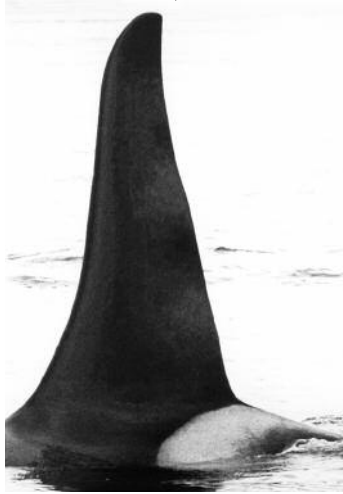
**A30** ♀ 1947



**A38** ♂ 1970



**A39** ♂ 1975



**A50** ♀ 1984



**A54** ♀ 1989



**A72** 1999



**A84** 2005



**A75** 2001



**A86** 2006



A-Clan

**A11 Matriline**

**A11** ♀ 1958



A13 sustained an injury to the tip of his dorsal fin in 2006, and it is likely that his fin now looks significantly different than in this photo.

**A35** ♀ 1974



**A13** ♂ 1978

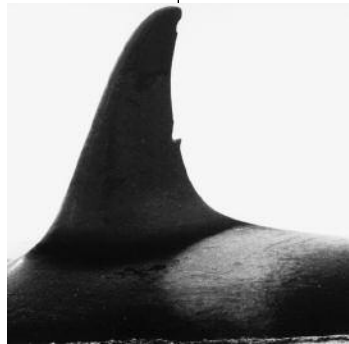


**A56** 1990

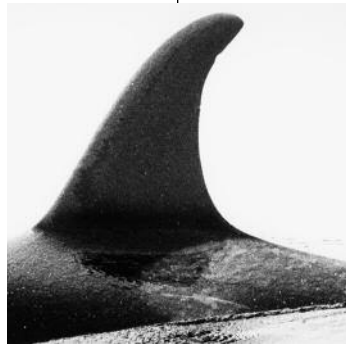


A82 is believed to have been hit by a speedboat in the summer of 2006. It is not clear at this time whether or not it has or will recover from the accident.

**A52** ♀ 1987



**A70** 1999



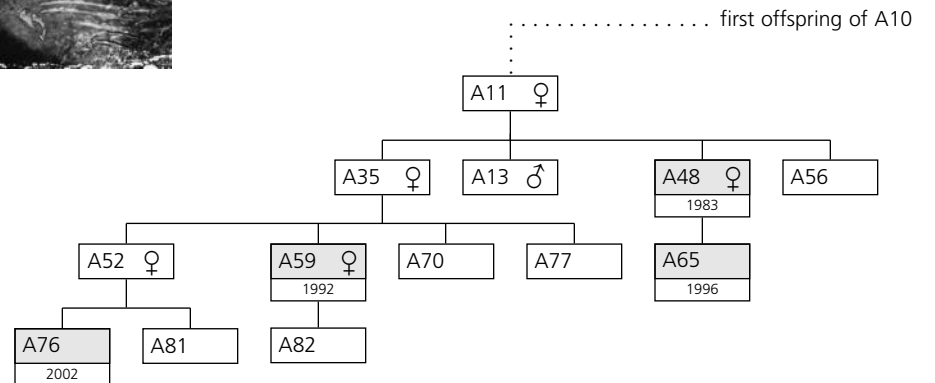
**A77** 2003



**A81** 2004



**A82** 2004



**A73** is also known as Springer. In January 2002, she was found alone and emaciated in Puget Sound. With a poor chance of survival in Puget Sound, she was captured and relocated to Blackfish Sound in the hope she would reunite with her matriline (A24). After release in July 2002, she travelled with various other resident killer whales before "settling in" with the closely-related A11 matriline.

**A24** ♀ 1967



**A64** 1995



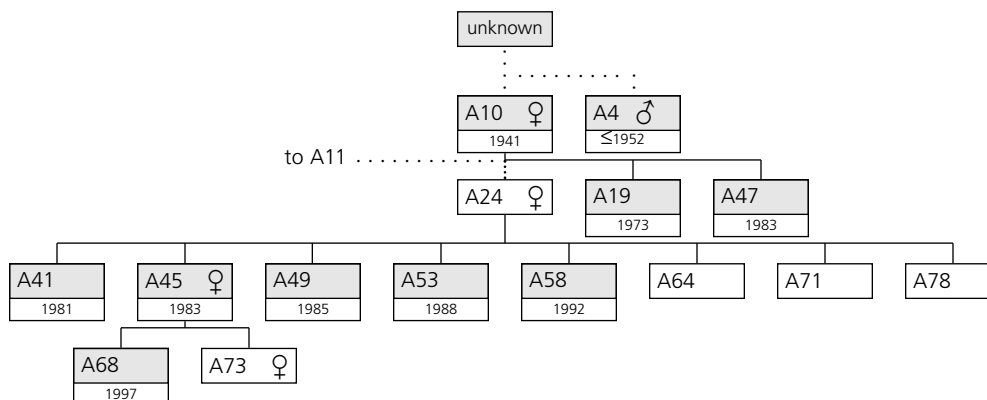
**A71** 1999



**A78** 2003



**A73** ♀ 2000



A-Clan



**A8 Matriline**

**A28** ♀ 1974



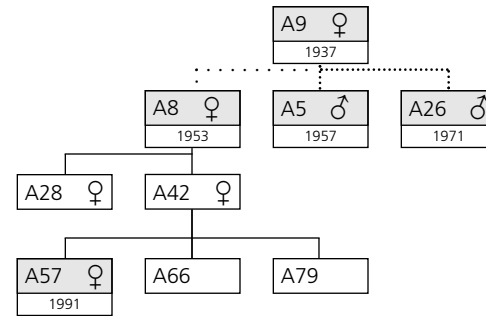
**A42** ♀ 1980



**A66** 1996



**A79** 2004



# A23 Matriline

A43 ♀ 1981

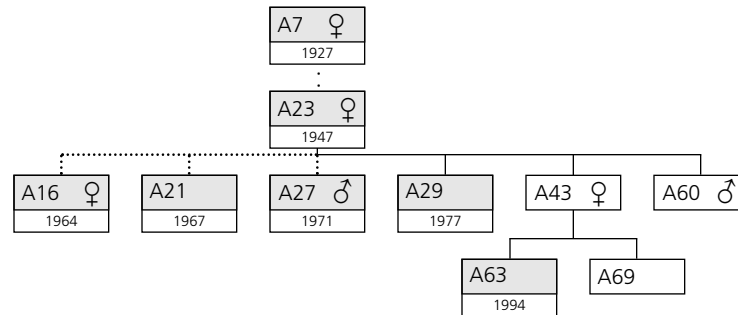


A60 ♂ 1992



A60 was struck by a boat propellor in 2004, and in the years since the accident his wounds have slowly healed.

A69 1996



**A25 Matriline**

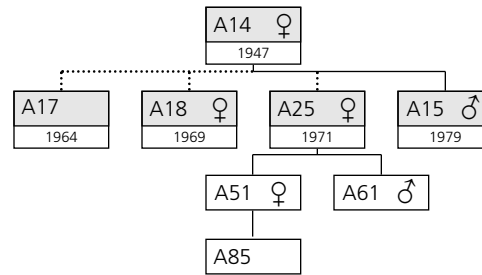
**A51** ♀ 1986



**A61** ♂ 1994



**A85** 2005

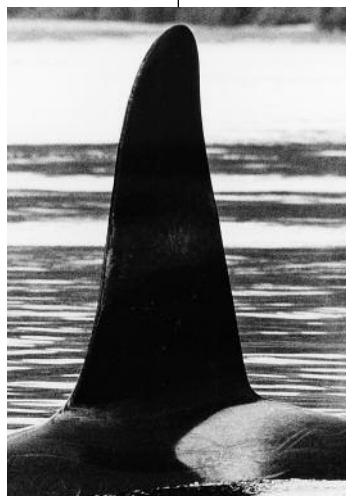


**B7 Matriline**

**B7** ♀ 1947



**B10** ♂ 1979



**B13** ♂ 1987



**B14** ♀ 1991



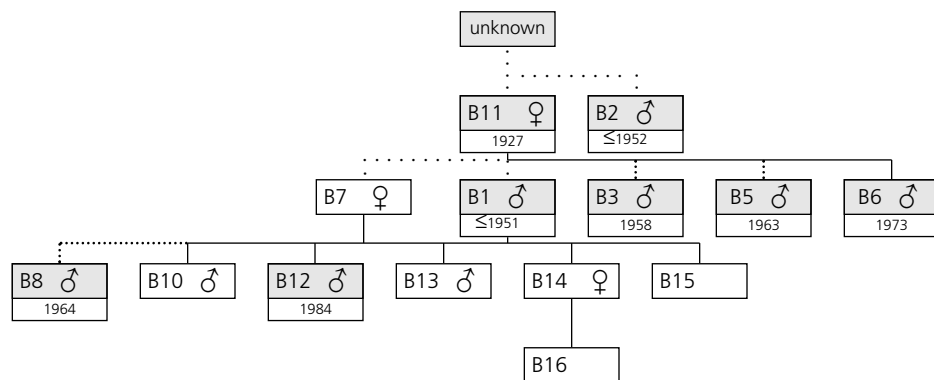
**B15** 1995



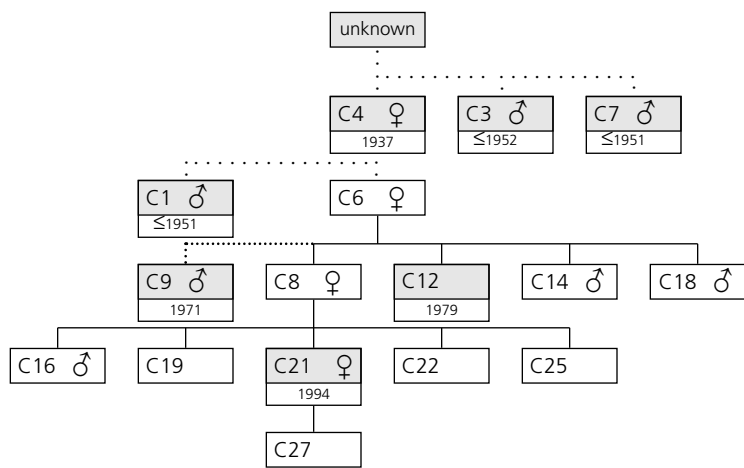
**B16** 2004



**B13's fin collapsed completely towards his left side during the summer of 2006, shortly after this photo was taken.**



**C6 Matriline**



**C6 ♀ 1955**



C21's body was recovered and necropsied near Prince Rupert in 2006 and showed signs of blunt force trauma indicative of a major collision. Her calf C27 was seen travelling with C8 after the accident.

**C8 ♀ 1975**



**C14 ♂ 1985**



**C18 ♂ 1991**



**C16 ♂ 1989**



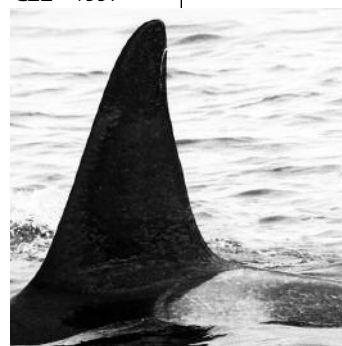
**C19 1991**



**C27 2006**



**C22 1997**



**C25 2004**



**C10 Matriline**

**C10** ♀ 1971



**C13** ♀ 1985



**C17** ♂ 1989



**C20** ♂ 1993



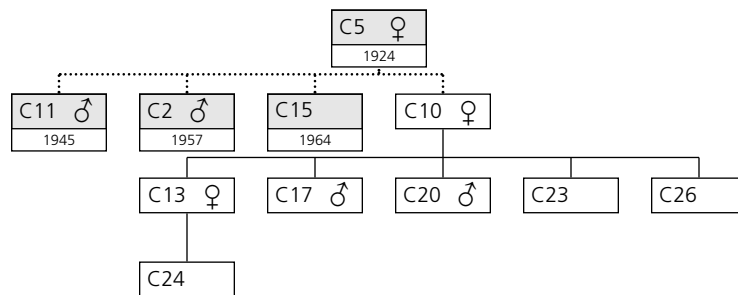
**C23** 1998



**C26** 2004



**C24** 2000



A-Clan

D1 Pod  
**D11 Matriline**

D11 ♀ 1975



D17 ♀ 1990



D21 2004



D1 Pod  
**D7 Matriline**

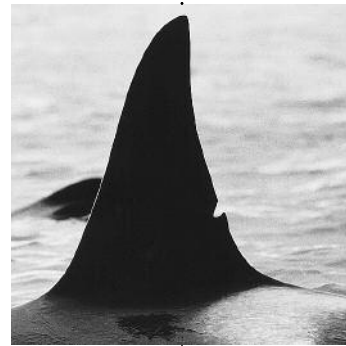
D12 ♀ 1982



D20 1999



D9 ♀ 1971



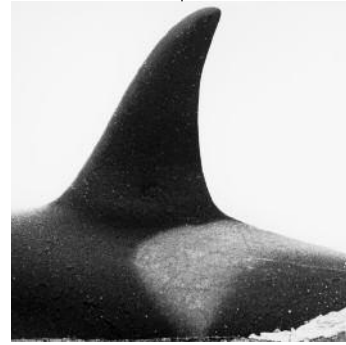
D10 ♀ 1978



D13 ♀ 1984



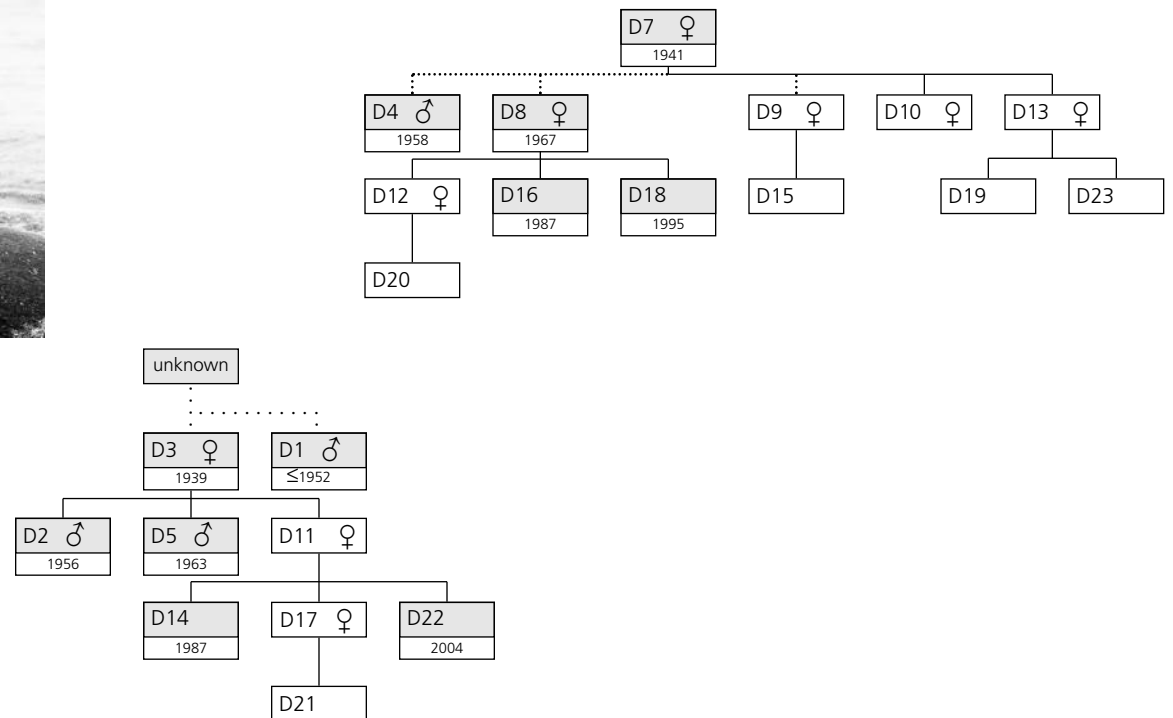
D15 1987



D19 1998



D23 2005



H1 Pod  
**H3 Matriline**

H7 ♂ 1981



H8 ♀ 1986



H14 2005



H1 Pod  
**H5 Matriline**

H5 ♀ 1973



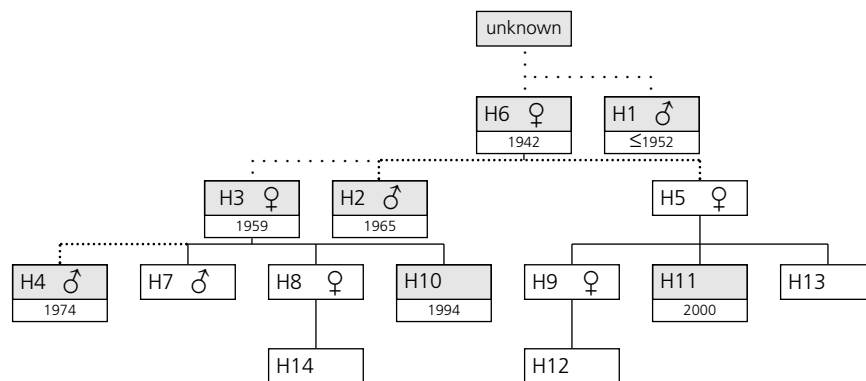
H9 ♀ 1988



H12 2002



H13 2004



A-Clan



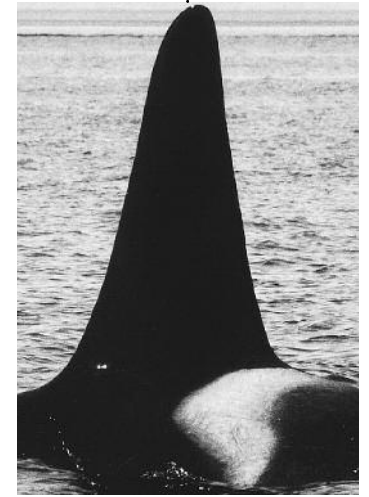
I1 Pod

**I1 Matriline**

**I19** ♀ 1968



**I23** ♂ 1973



**I54** ♀ 1983



**I92** 1999



**I117** 2005



**I71** ♀ 1993



**I97** 2002



**I114** 2006



**I112** 2006



I40 ♀ 1980



I69 ♀ 1991



I82 ♀ 1994



I90 1999



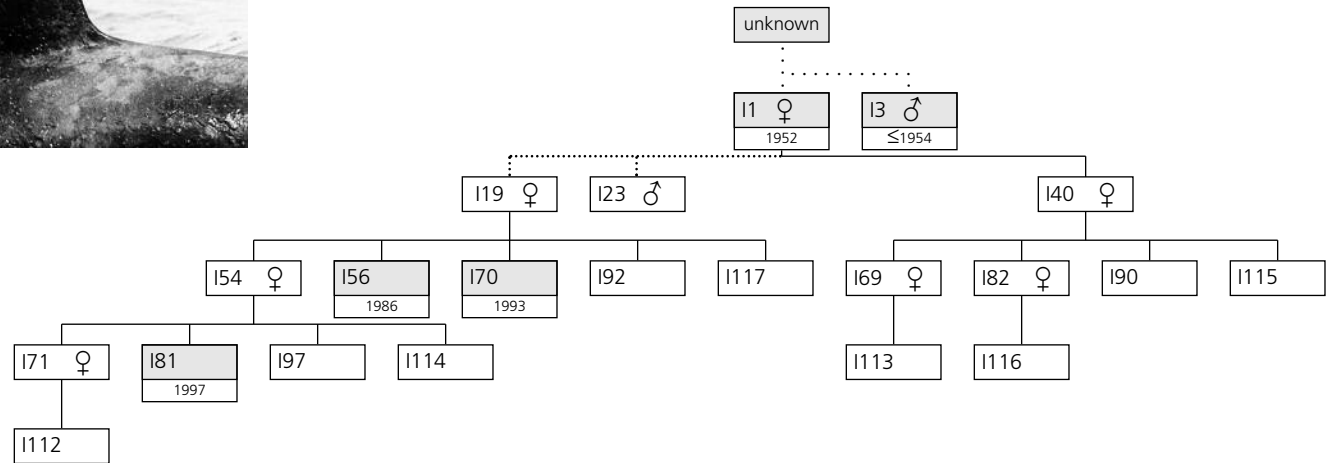
I115 2005



I113 2006



I116 2006



A-Clan

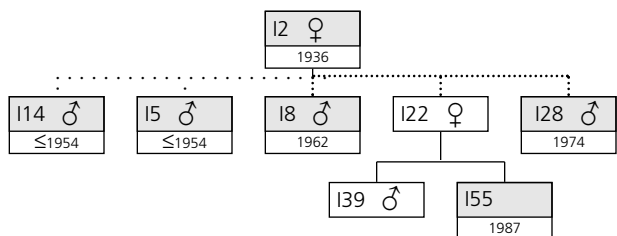
I2 Pod

### I22 Matriline

I22 ♀ 1965



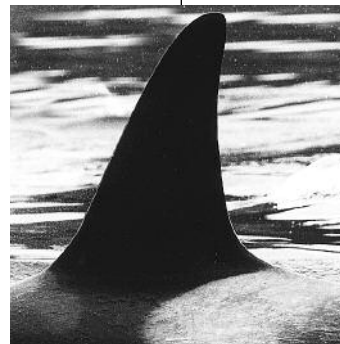
I39 ♂ 1980



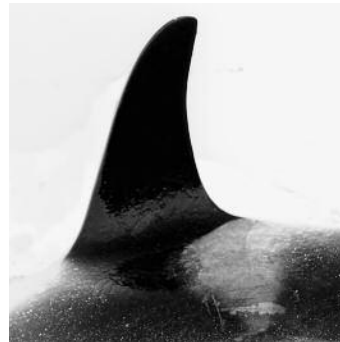
I18 Pod

### I17 Matriline

I26 ♀ 1975



I93 1992



I91 1996



I118 2006



117 ♀ 1959



150 ♀ 1982



157 ♀ 1989



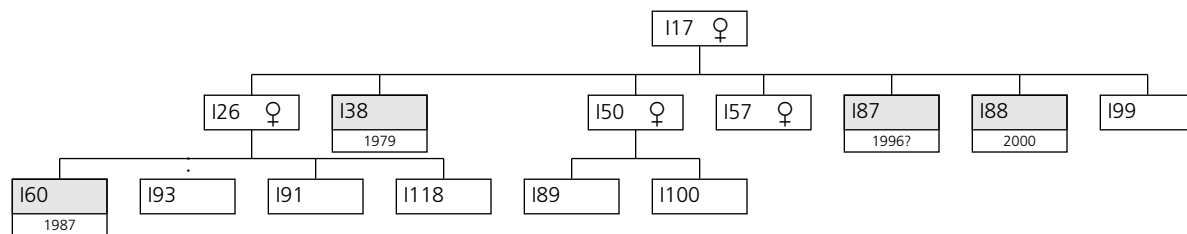
199 2003



189 1996



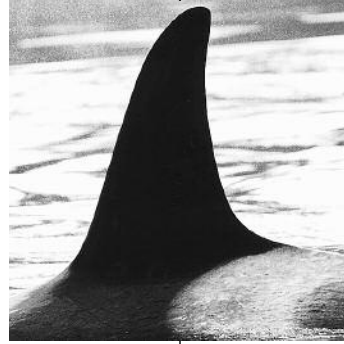
1100 2003



A-Clan

**I18 Matriline**

**I20** ♀ 1964



**I21** ♀ 1979



**I52** ♂ 1986



**I83** 1997



**I101** 2003



**I119** 2006



**Key**

A1 ♀
1927

Deceased killer whale with estimated or known birth date

\* Possibly dead

*Genealogical relationship:*

———— Positive

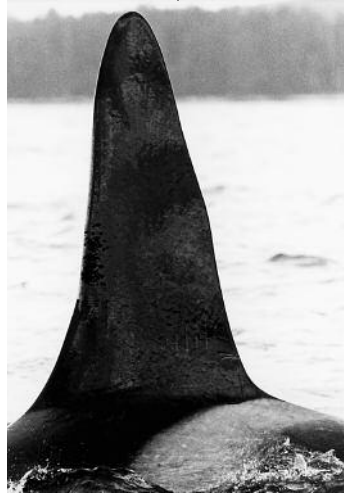
..... Probable

..... Possible

I24 ♀ 1980



I53 ♂ 1986

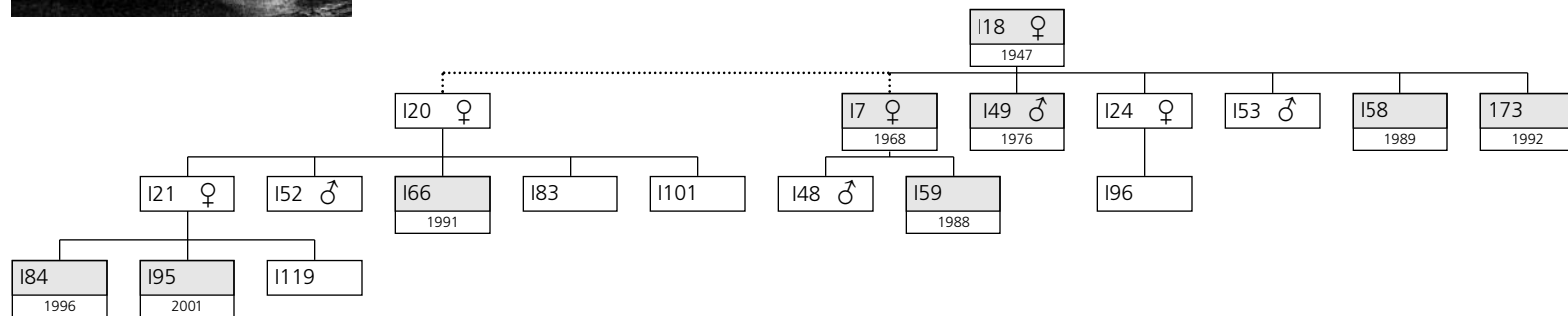
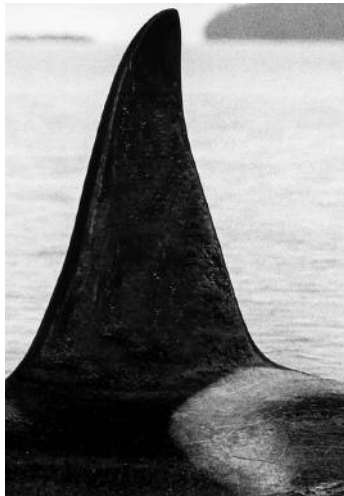


I96 2002



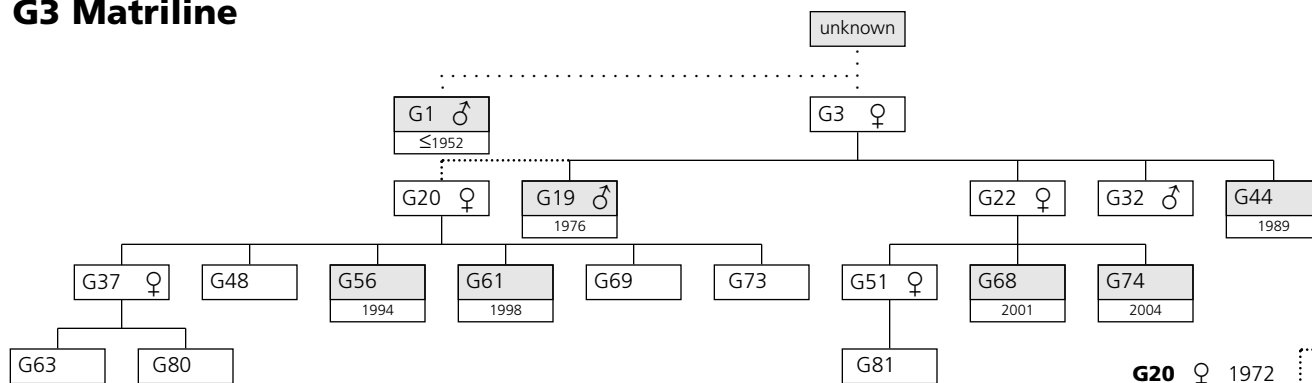
During the course of this study, H1, I1, I2, and I18 pods have been encountered infrequently, suggesting that they prefer to spend more time off the north and west coasts of BC.

I48 ♂ 1983



G1 Pod

**G3 Matriline**



**G3** ♀ 1956



**G20** ♀ 1972



**G22** ♀ 1979



**G37** ♀ 1984



**G48** 1990



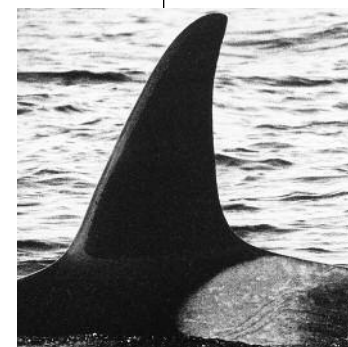
**G69** 2001



**G73** 2004



**G51** ♀ 1992



**G63** 1999



**G80** 2006

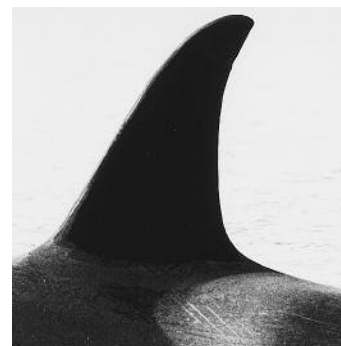


**G81** 2006



G1 Pod  
**G16 Matriline**

**G31** ♀ 1981



G1 Pod  
**G31 Matriline**

**G54** 1994



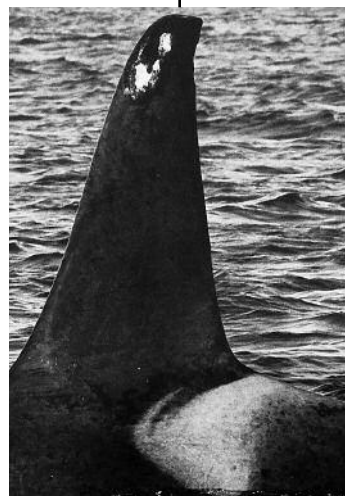
**G66** 1999 \*



**G32** ♂ 1982



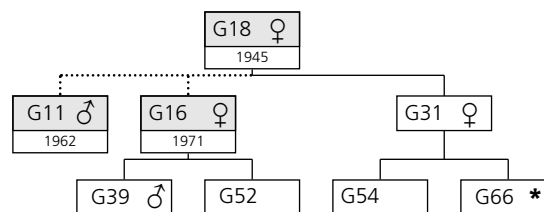
**G39** ♂ 1986



**G52** 1992



Both G32 and G39 received dorsal fin injuries in 2006. It is not known how these types of injuries happen but they are possibly caused by bites from other killer whales. These animals may look significantly different now compared to their appearance in these photos.



G-Clan



G1 Pod

**G17 Matrine**

**G25** ♀ 1975



**G23** ♀ 1980



**G40** ♂ 1987



**G60** 1998



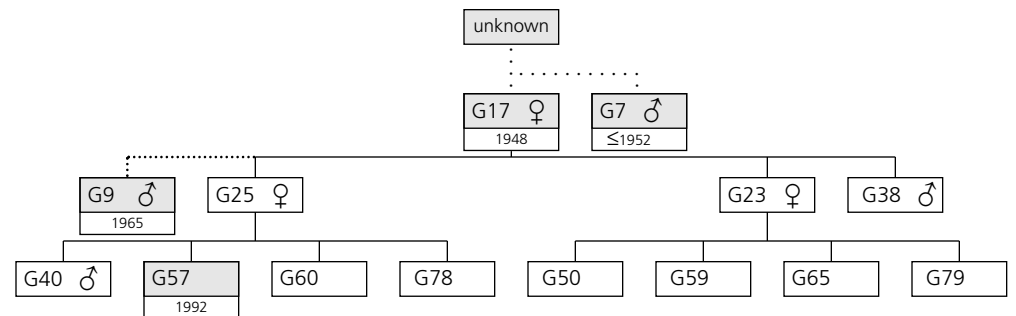
**G78** 2004



**G50** 1991



**G59** 1994



G38 ♂ 1986



G1 Pod  
G29 Matriline

G29 ♀ 1970



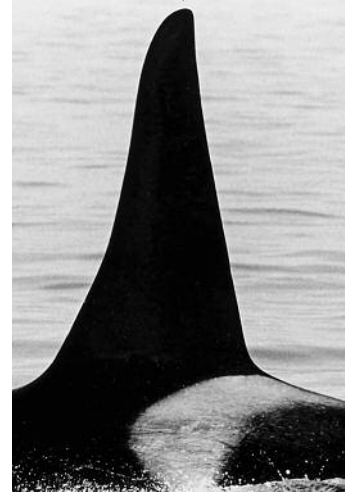
G65 2001



G79 2005



G45 ♂ 1988



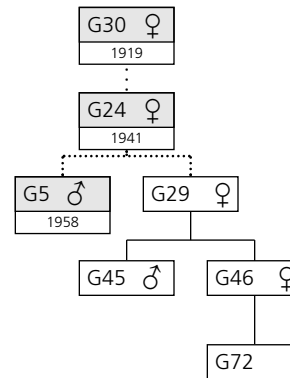
G46 ♀ 1991



G72 2004



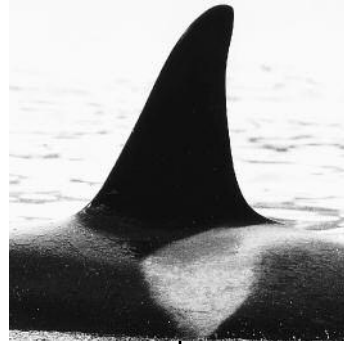
G-Clan



G12 Pod  
**G8 Matriline**

G12 Pod  
**G27 Matriline**

**G27** ♀ 1973



**G41** ♀ 1987



**G58** 1996



**G64** 2000

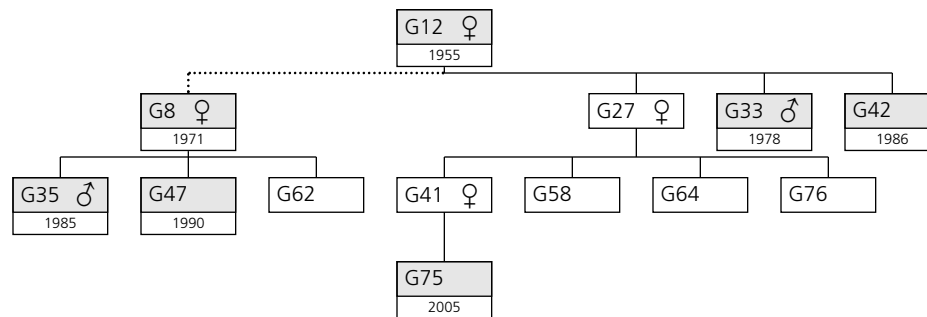


**G76** 2005



Since being orphaned in 2000, the juvenile G62 has spent much of it's time in the presence of members of the G2 matriline.

**G62** 1999



**G2 Matriline**

**G2** ♀ 1961



**G34** ♀ 1977



**G53** 1994



**G77** 2005



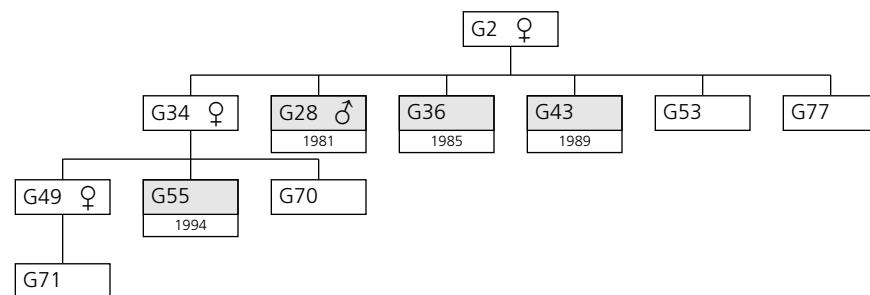
**G49** ♀ 1990



**G70** 2003



**G71** 2005



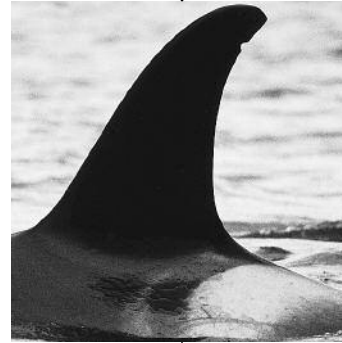
G-Clan

**I11 Matriline**

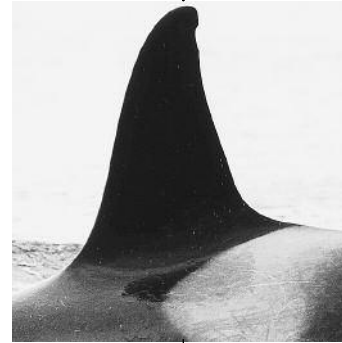
**I11** ♀ 1954



**I12** ♀ 1970



**I13** ♀ 1974



**I42** ♂ 1983



**I47** ♂ 1985



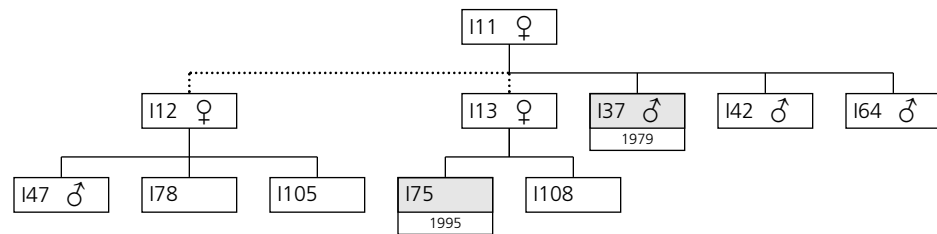
**I78** 1997



**I105** 2004



**I108** 2005



164 ♂ 1990

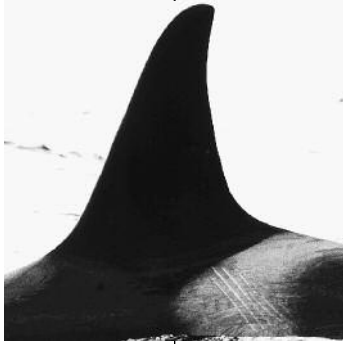


G-Clan

I11 Pod

## I15 Matriline

I16 ♀ 1968



I27 ♀ 1974



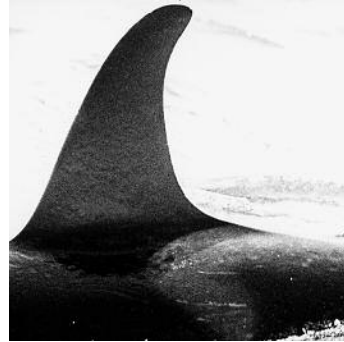
I43 ♂ 1983



I51 ♀ 1986



I98 2002



I63 1990



I77 1997



I106 2004



Although the matriarch I15, died in late 2005 or early 2006, the matriline will retain her name because the group maintained its cohesion throughout 2006. In time, however, the animals in this group may begin to travel apart and if so the groups will be renamed appropriately as separate matrilines.

14 ♀ 1980



165 ♀ 1990



1107 2004



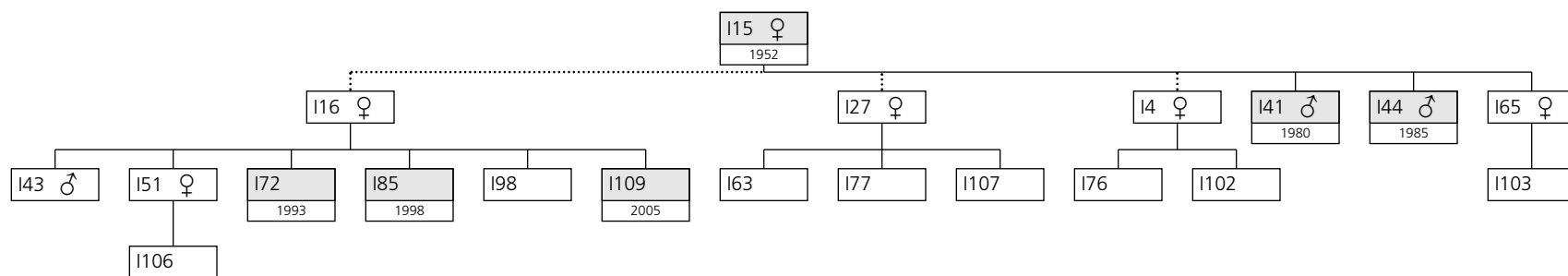
176 1997



1102 2003



1103 2003



G-Clan



I31 Pod

**I31 Matriline**

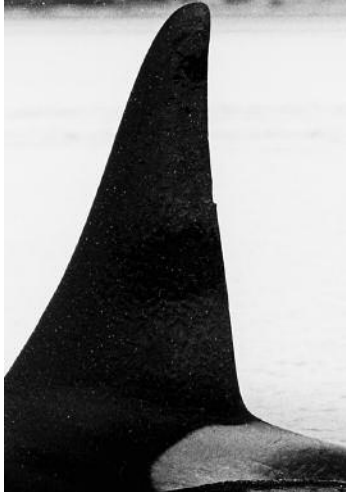
**I33** ♀ 1970



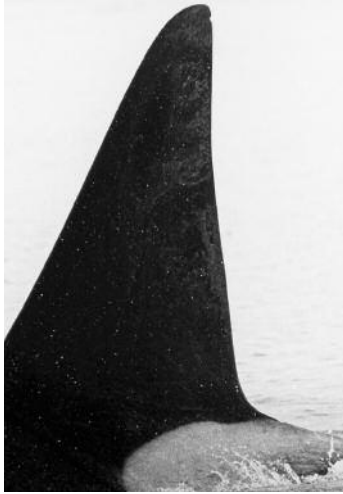
**I35** ♀ 1974



**I45** ♂ 1985



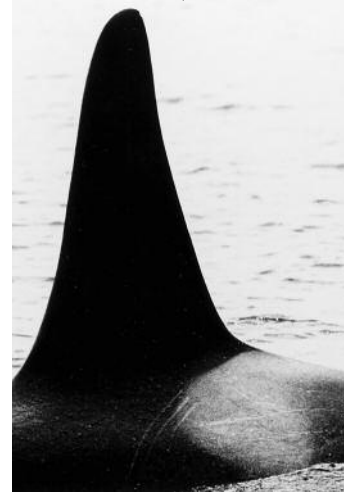
**I62** ♂ 1988



**I110** 2005

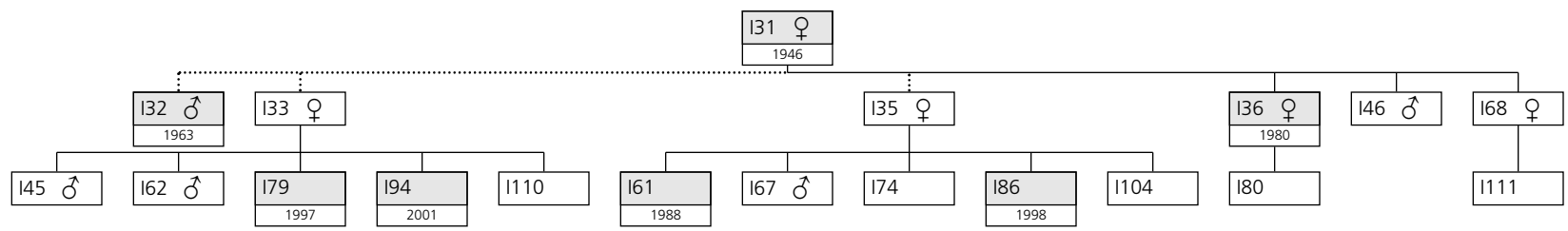
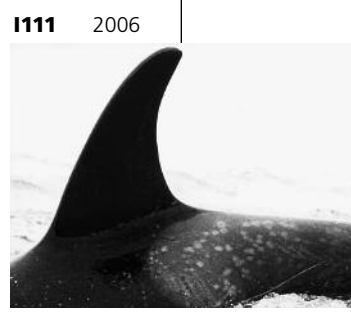
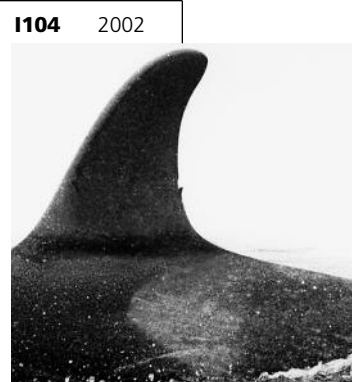


**I67** ♂ 1991



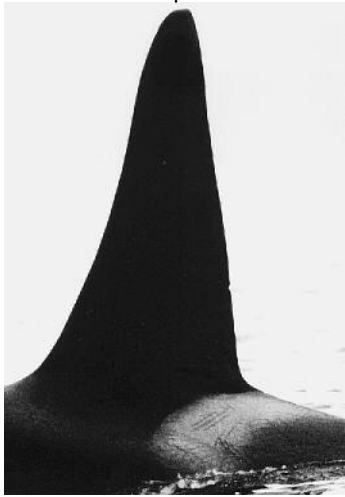
**I74** 1994



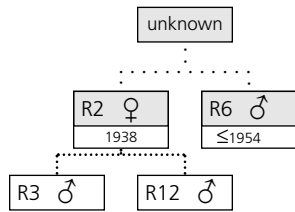
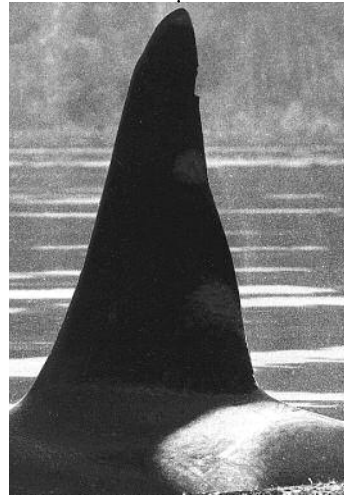


R1 Pod  
**R2 Matriline**

R3 ♂ 1956



R12 ♂ 1966



R1 Pod  
**R5 Matriline**

R22 ♀ 1984



R48 2006



R29 ♀ 1994



R35 1998



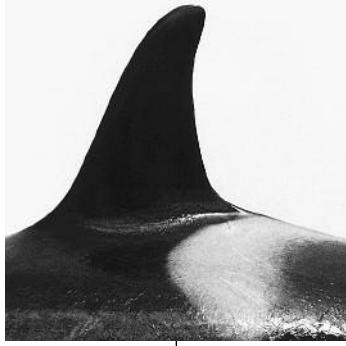
R39 2001



R44 2004



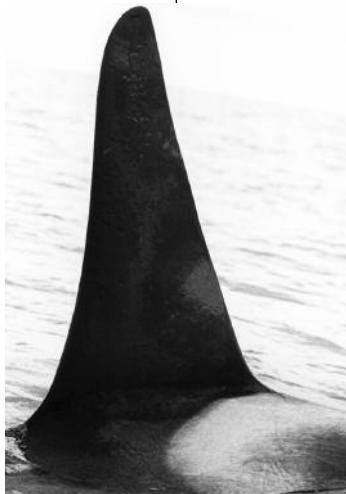
**R5** ♀ 1948



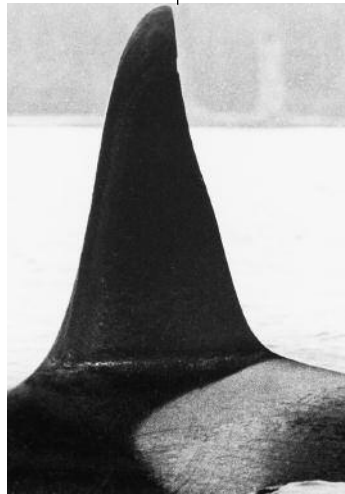
**R4** ♀ 1964



**R26** ♂ 1988



**R28** ♂ 1992



**R33** 1995



**R36** 1998



**R41** 2002

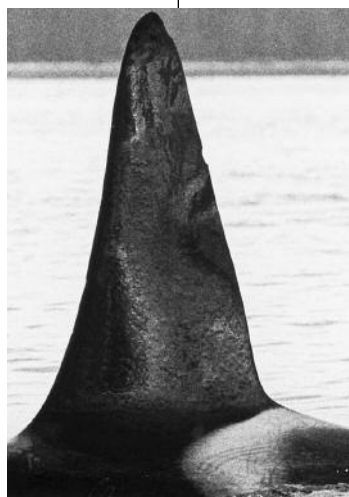


R-Clan

**R18** ♀ 1967



**R25** ♂ 1987



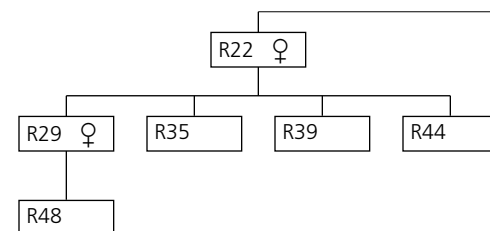
**R37** 1999

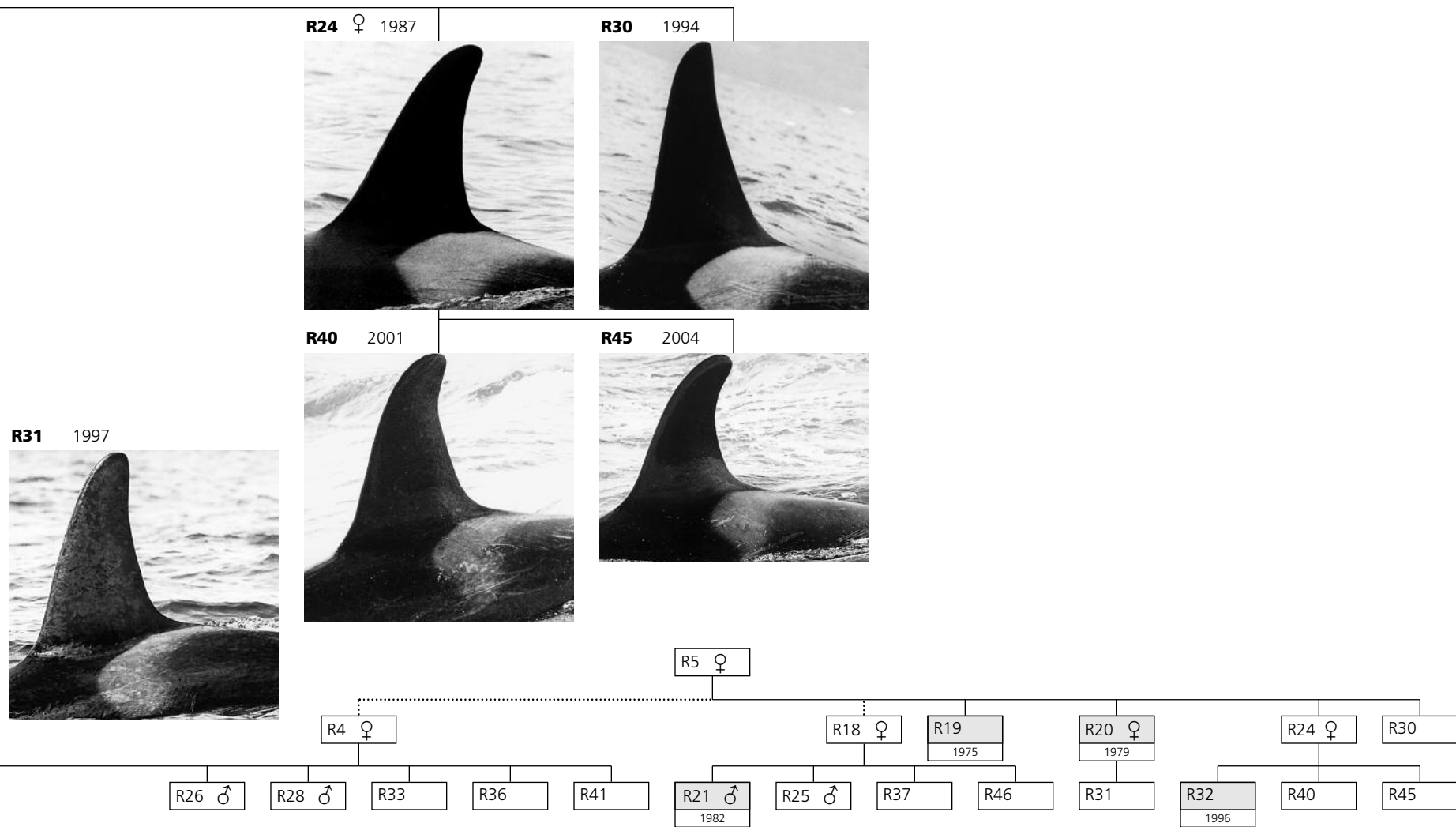


**R46** 2004



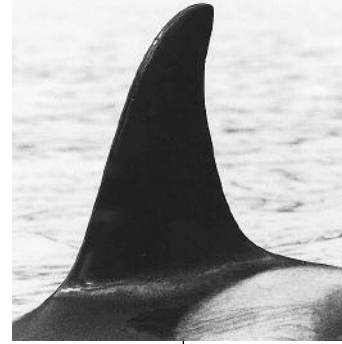
With the birth of R48 in 2006, the R5 matriline became the first known example of 5 living generations within one family group of northern resident killer whales. This group of animals is by far the largest single matriline within the northern resident community, consisting of 22 members.





**R17 Matriline**

**R17** ♀ 1965



**R23** ♀ 1985



**R34** 1996



**R43** 2002



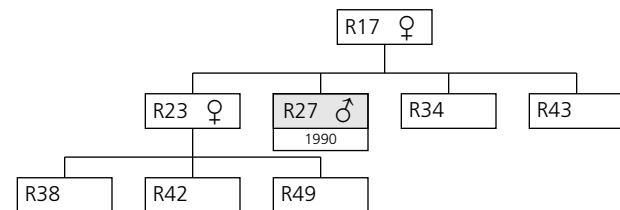
**R38** 2000



**R42** 2002



**R49** 2006



R1 Pod

**R7 Matriline**

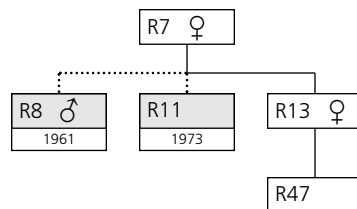
**R7** ♀ 1944



**R13** ♀ 1979



**R47** 2005



W1 Pod

**W3 Matriline**

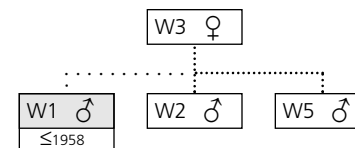
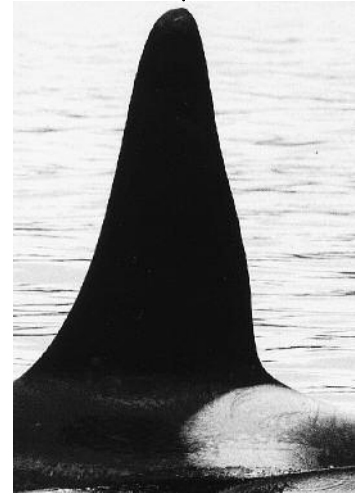
**W3** ♀ 1940



**W2** ♂ 1960



**W5** ♂ 1974



R-Clan



# Photographic Credits

We are grateful to the friends and colleagues who have contributed photographs for this book. They are listed below.

<i>catalogue photographs</i>	<i>photographer</i>	<i>number of photos</i>
Northern Resident whales	Graeme Ellis	211
	John Ford	12
	Jared Towers	8
	Andrea Rambeau	5
	Alex Morton	2
Cover photo	Graeme Ellis	